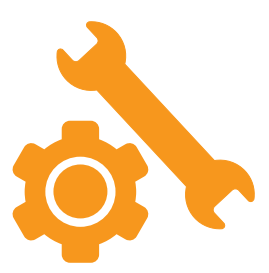


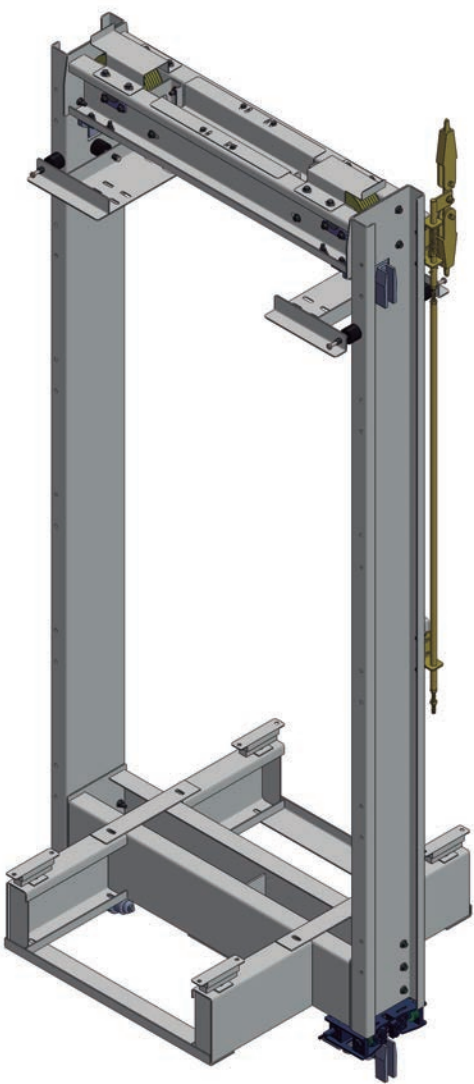


# CTV BESPOKE SLINGS

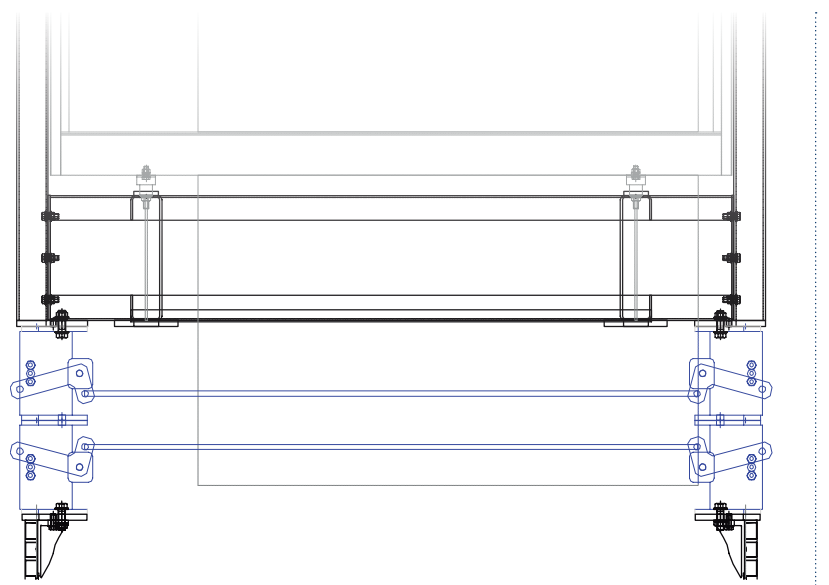
CTV MRL & Conventional slings prepared for Atwell safety gear range



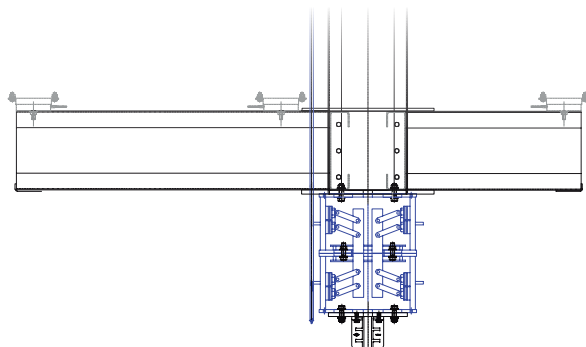
## VG BI DIRECTIONAL APPLICATION



FRONT VIEW

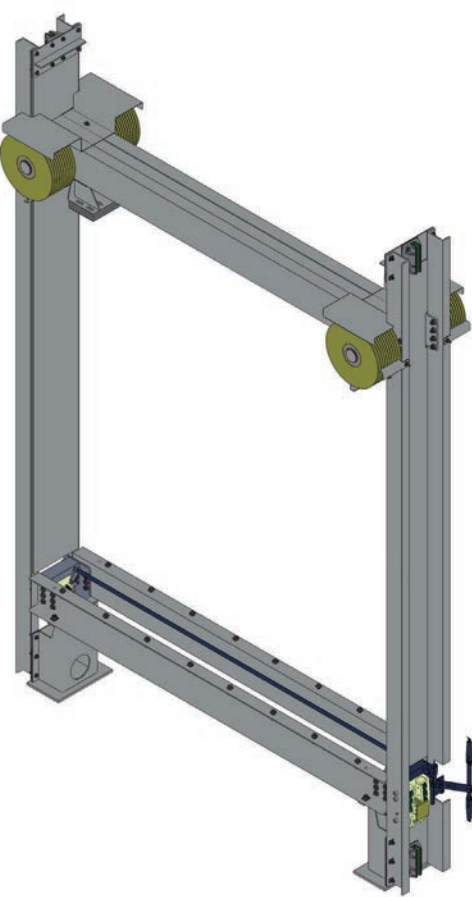
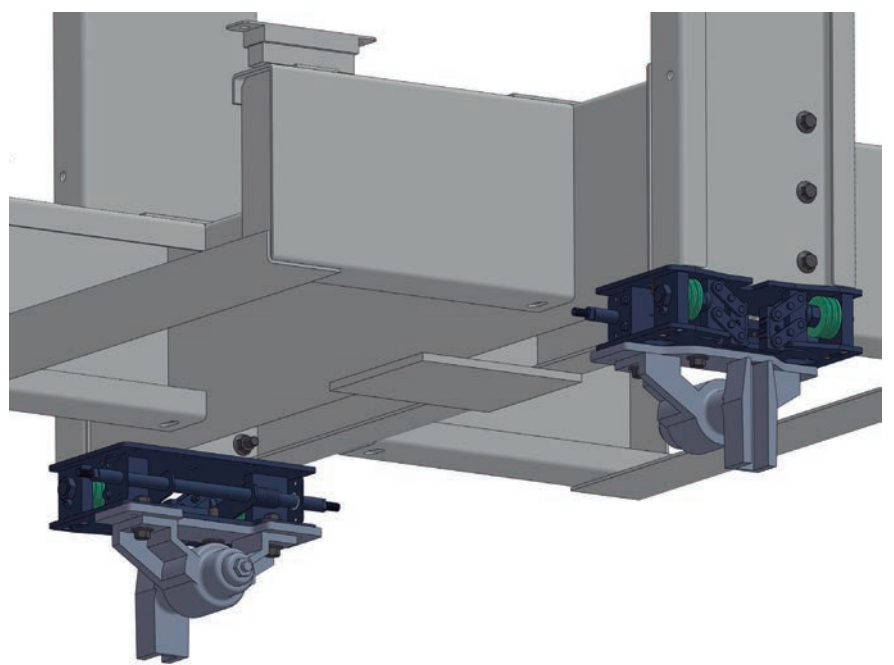


SIDE VIEW



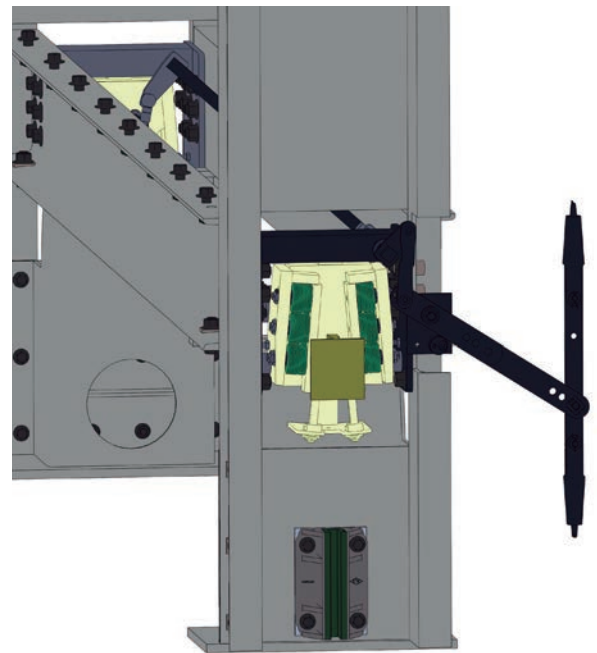
## VG SYMMETRICAL SAFETY GEARS FROM ATWELL

One-way directional or bi-directional applications arrangement, specially designed for modernization of lifts acted by a conventional gear box.



## KB55 SYMMETRICAL SAFETY GEARS FROM SCHLOSSER

Its ability to be recessed inside the sling upright.



## ADVANTAGES OF SYMMETRICAL SAFETY GEARS

Minimize guide rail damages when safety gear engages because of a centralised force distribution when activated

Suitable for guide roller shoes as they offer larger guide rail running clearance

Require minimum force to be released, which ensures disengagement by the lift machine without further mechanical means

Slings are fully prepared to suit all kinds of linkage mechanisms



## CTV UPDATE

In line with these solutions our slings with Atwell safety gears can be provided with springloaded or buffered roller guide shoes from ELSCO, ETN or others

